



**Installation Instructions**  
**SIDE STEP (Part # TN1130-S4)**  
*01-04 Toyota Tacoma Crew Cab*

**PARTS LIST**

1- PASSENGER SIDE BAR  
1- DRIVER SIDE BAR  
8- M10X25 HEX BOLTS  
8- Ø 10 LOCK WASHERS  
12- M8 HEX NUTS  
12- Ø 8 LOCK WASHERS

2- FRONT MOUNT BRACKETS  
2- REAR MOUNT BRACKETS  
8- Ø10 FLAT WASHERS  
12- M8X30 HEX BOLTS  
12- Ø8 FLAT WASHERS

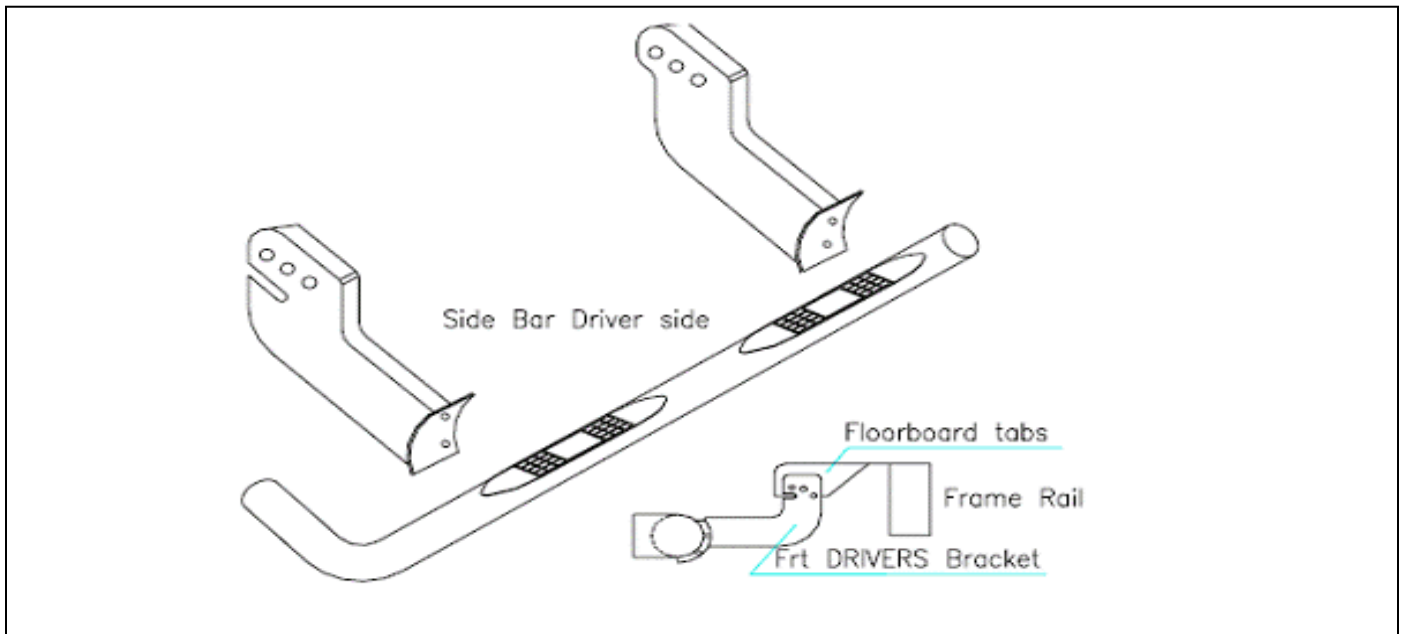
**INSTALLING THE FRAME BRACKETS TO SIDE BAR**

ATTACH THE DRIVER SIDE FRONT AND REAR BRACKETS TO DRIVER SIDE BAR USING HARDWARE SUPPLIED IN LIST REFER TO DIAGRAM THE BRACKETS BOTH FACE TOWARDS EACH OTHER AS IN DIAGRAM.

**INSTALLING THE SIDE BAR TO FLOOR RAIL**

YOU WILL NEED ONE PERSON TO HELP YOU HOLD THE SIDE BAR UP TO FLOORBOARD TABS ONCE YOU'VE GOT THE SIDE BAR IN PLACE BEGIN TO INSTALL ALL HARDWARE PLACE M10 BOLTS WASHERS LOCK NUTS IN REAR BRACKET MIDDLE HOLE OF BRACKET AND M8 HEX BOLTS WASHERS NUTS IN TWO REMAINING HOLES HAND TIGHTEN AS YOU WILL HAVE TO ALIGN BAR . AT FRONT SECTION OF BAR TAKE M10 BOLTS WASHERS LOCK NUTS PLACE IN MIDDLE HOLE. AND M8 BOLTS WASHERS NUTS IN REMAINING HOLES ALIGN BAR BEGIN TO TIGHTEN ALL BOLTS.

AS WITH PRODUCT IT IS RECOMMENDED TO CHECK ALL NUTS AND BOLTS FOR TIHGTENESS AFTER DRIVING.



**For Technical Support/Warranty Information please call 310-762-9944**

**Smittybilt, 1600 Walnut Parkway, Rancho Dominguez, CA 90220**



**Installation Instructions**  
***SIDE STEP (Part # TN1130-S4)***  
***01-04 Toyota Tacoma Crew Cab***

**LIMITED WARRANTY**

Smittybilt (The Company) warrants to the original purchaser of this product that should the product or any part thereof, under normal use and conditions, be proven defective in material or workmanship within the warranty period of 5 years from the date of purchase, such defect(s) will be repaired or replaced (At the Company's option) without charge for parts or labor. To obtain repair or replacement within the terms of the warranty, the product is to be delivered with proof of warranty coverage ( e.g. dated bill of sale, receipt), specification of defect, freight pre-paid with Returns Good Authorization Number from Smittybilt to place of purchase. Items returned to Smittybilt without a Returns Authorization Number will be refused and returned to sender at the senders' expense.

This warranty does not apply to any product or part thereof which, in the opinion of the Company, has suffered or been damaged through altercation, improper installation, mishandling, misuse, neglect accident or acts of nature. **THE EXTENT OF THE COMPANY'S LIABILITY UNDER THIS WARRANTY IS LIMITED TO THE REPAIR OR REPLACEMENT PROVIDED ABOVE AND, IN NO EVENT, SHALL THE COMPANY'S LIABILITY EXCEED THE PURCHASE PRICE PAID BY THE PURCHASER FOR THIS PRODUCT.**

This warranty is in lieu of all expressed warranties and liabilities. ANY IMPLIED WARRANTIES, INCLUDING ANY IMPLIED WARRANTY OF MERCHANTABILITY SHALL BE LIMITED TO THE DURATION OF THIS WRITTEN WARRANTY. ANY ACTION FOR BREACH OF ANY WARRANTY HEREUNDER INCLUDING ANY IMPLIED WARRANTY OF MERCHANTABILITY MUST BE BROUGHT WITHIN A PERIOD OF 90 DAYS FROM DATE OF ORIGINAL PURCHASE. IN NO CASE SHALL THE COMPANY BE LIABLE FOR ANY CONSEQUENTIAL OR INCIDENTAL DAMAGES FOR BREACH OF THIS OR ANY OTHER WARRANTY, EXPRESSED OR IMPLIED, WHATSOEVER. No person or representative is authorized to assume for the company any liability other than expressed herein in connection with the sale of this product. Some states do not allow limitations on how long an implied warranty lasts or the exclusion or limitation of incidental or consequential damage, therefore above limitations may not apply to you. This warranty gives the purchaser specific legal rights. The purchaser may have additional rights, which vary from state to state. Some states do not allow limitations on how long an implied warranty lasts or the exclusion or limitation of incidental or consequential damage, herefore above limitations may not apply to you. This warranty gives the purchaser specific legal rights. The purchaser may have additional rights, which vary from state to state.

**For Technical Support/Warranty Information please call 310-762-9944**

**Smittybilt, 1600 Walnut Parkway, Rancho Dominguez, CA 90220**