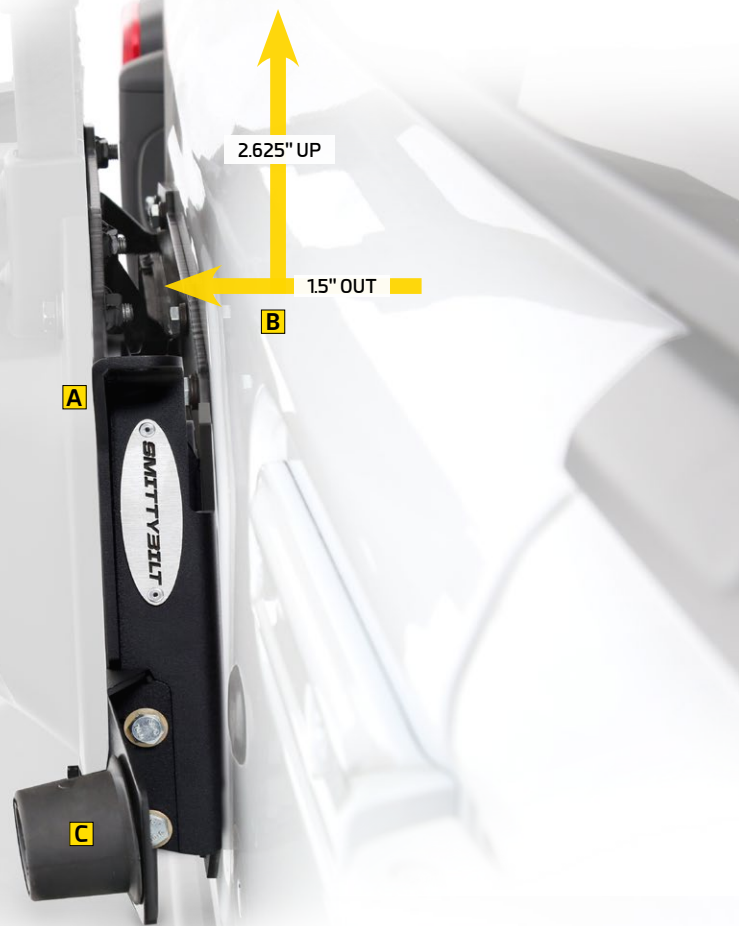




GET THE ORIGINAL

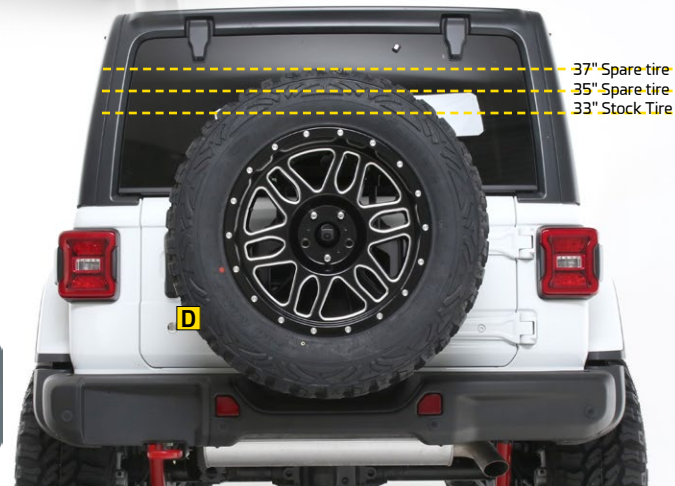
JL Tire Relocation Bracket

With the stylish 2018+ Jeep JL hitting the roads, Smittybilt's NEW JL Tire Relocation Bracket allows drivers to outfit their new rigs with a spare tire up to 37-inches.



- A** Dual Buggy Whip / Antenna Mounts, Direct bolt-on, no drilling required, using OE attachment points
- B** Repositions spare tire up to 1.5" out and 2.625" upwards
- C** OE rubber isolator retained for reduced vibration
- D** Fits up to 37" spare tire with reinforcement bracket
- E** Fits up to 35" spare tire
- F** No wire extension needed
- G** Retains OE brake light and camera functions without modification
- H** 3/16" laser cut steel
- I** Weighs 11 lbs.

NOTE: Swing gate reinforcement is recommended for 35" tires and required for 37" tires



JL Tire Relocation Bracket				
Part#	Description	Jobber	Retail Map	Canada Map
7721	JL Tire Relocation Bracket	\$79.99	\$79.99	\$109.99

